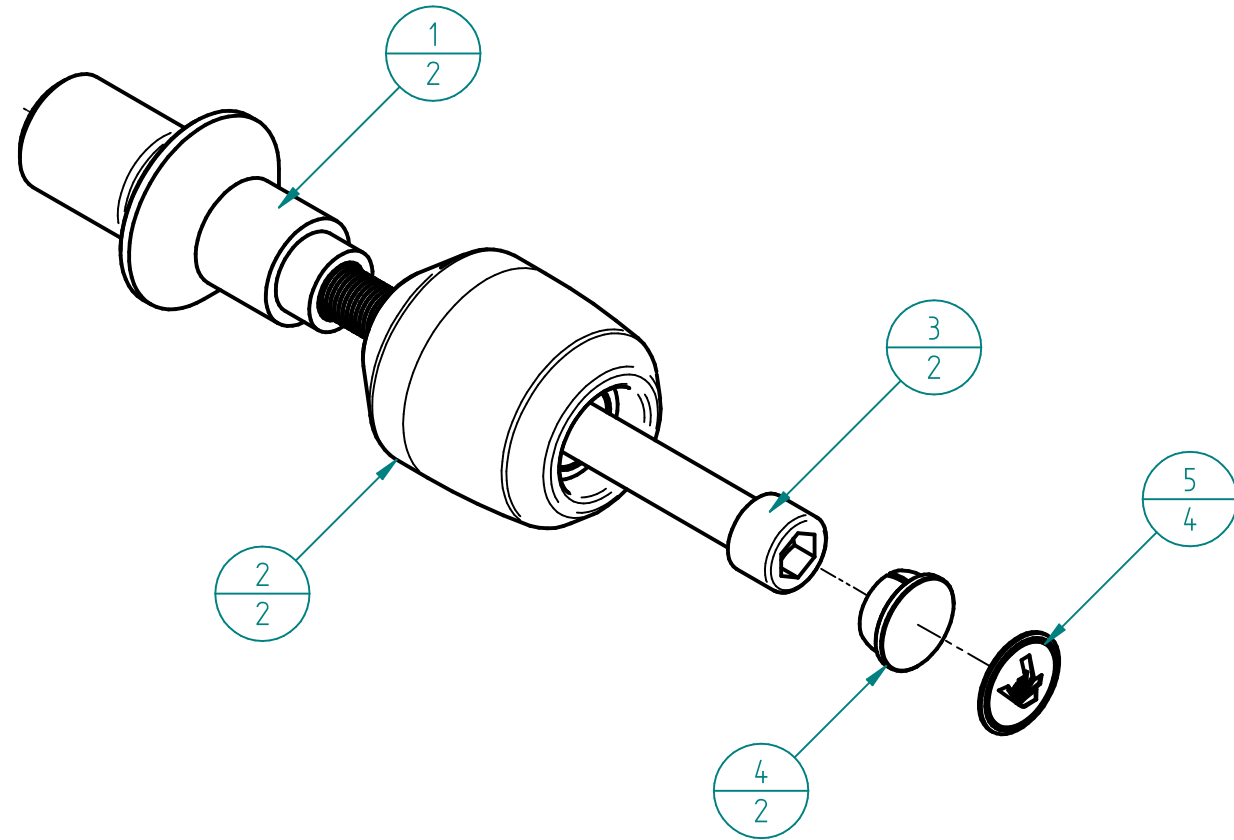
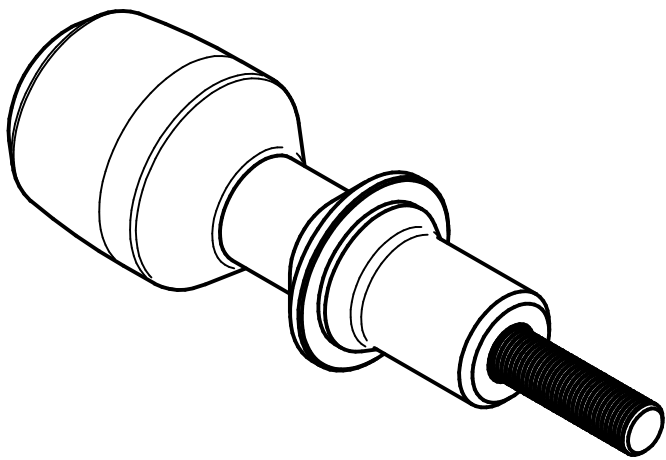




**CRASH BOBBINS**  
Installation Instructions  
**YAMAHA MT-07**  
MODEL YEAR 2013+



Item Number	Title	Quantity
1	Slider bracket	2
2	Slider   M12	2
3	BOLT M12x1.25X140   10.9   DIN912   ISO4762	2
4	Hole Plug	2
5	3D Sticker	4

# **STEP 1**

Remove the original bolt using a 12 mm socket wrench.



# STEP 2

Insert the new provided screw into the crash bobbin and put the whole assembly inside the marked hole. Then tighten it all together. Repeat for the other side.



# STEP 3

To finish it off insert the provided decorative cap with our sticker, to hide the screw hole.



# STEP 4

You're all done and ready to rock the streets!



## **IMPORTANT**

**It is recommended that periodic inspections are made to ensure that all bolts are tightened to the specified torque settings. Should the bike be involved in an accident a thorough inspection should be made and any components that have taken an impact, no matter how small, be replaced.**

**The manufacturer or supplier cannot be held responsible for products that are incorrectly mounted or inappropriately used.**

**It is recommended to check all connections regularly for tightness of fit.**



<https://bagorosperformance.com/product/crash-bobbins-for-yamaha-mt-07-2021/>