

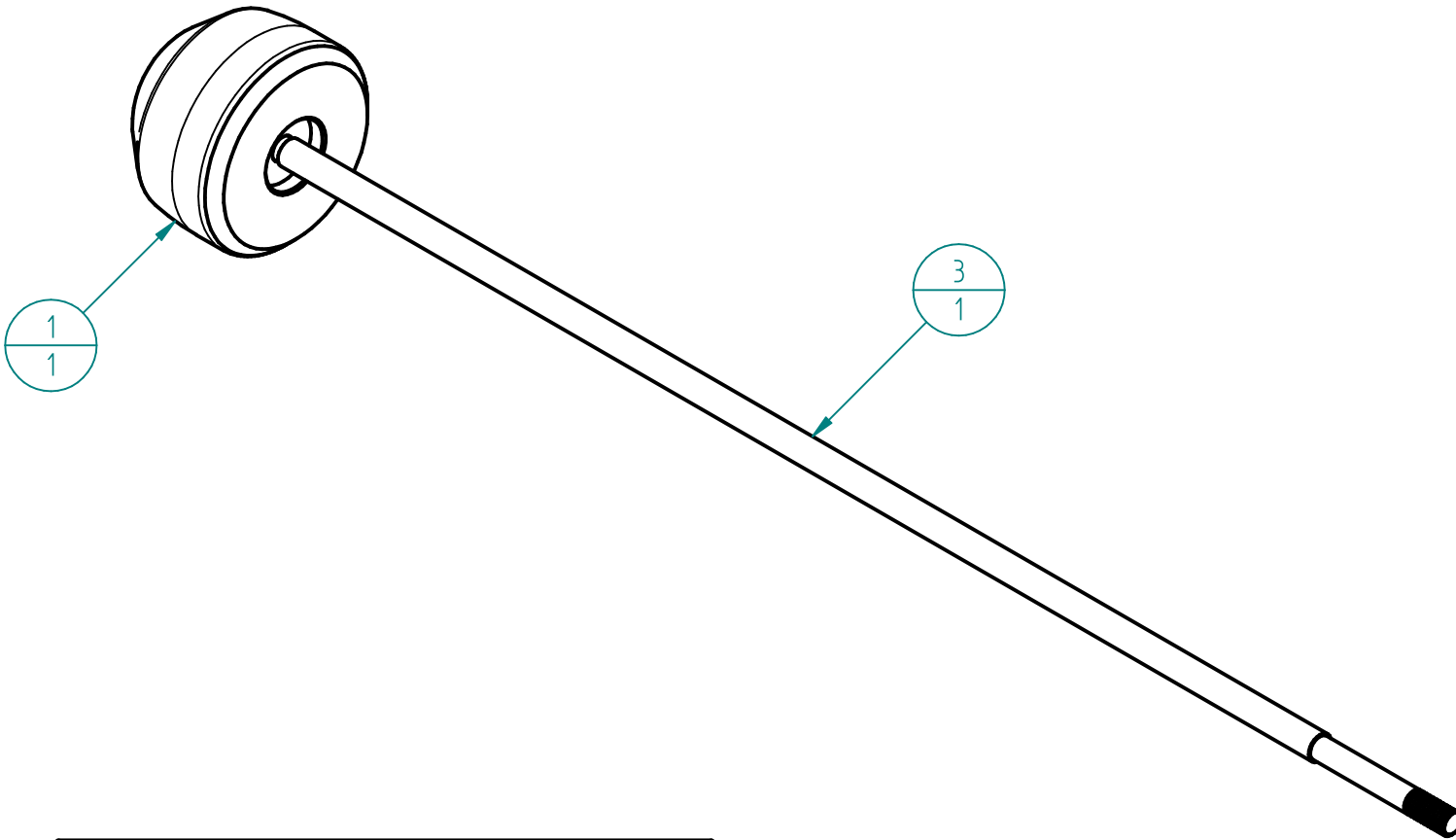


# REAR SPINDLE SLIDERS

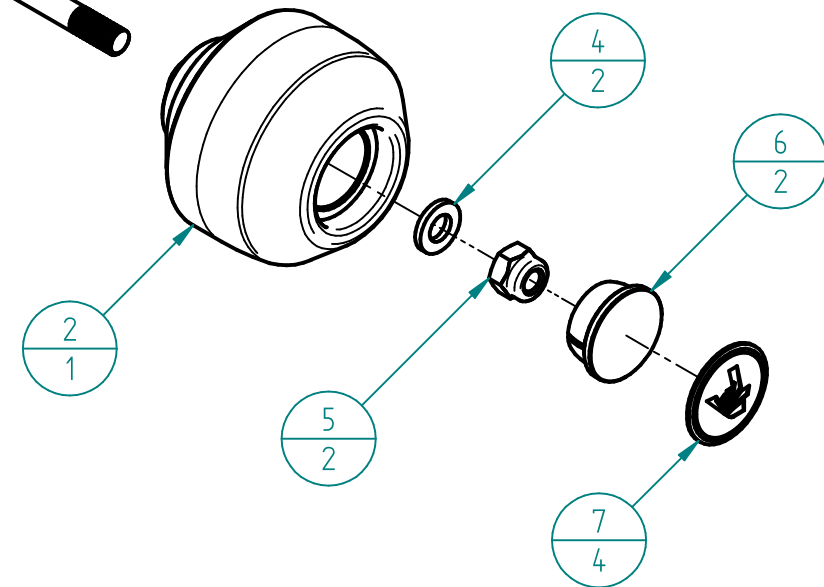
Installation Instructions

**YAMAHA MT-07**

MODEL YEAR 2013+

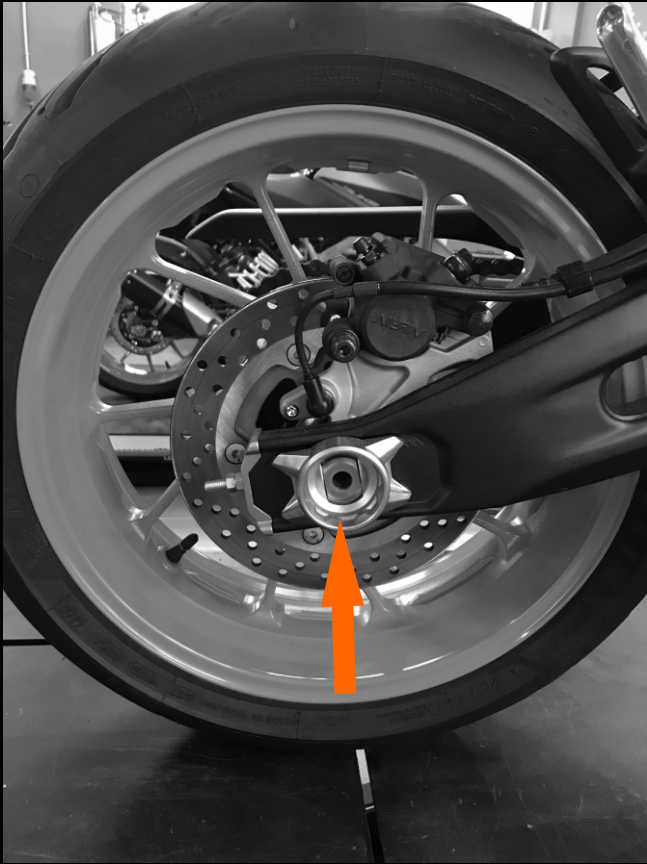


Item Number	Title	Quantity
1	Slider I Left	1
2	Slider I Right	1
3	Connection rod	1
4	Washer A6 I A2 I DIN125 I ISO7089	2
5	Nut M6 I A2 I DIN982 I ISO7040	2
6	Hole Plug	2
7	3D Sticker	4



# STEP 1

Insert the spindle slider rod inside the rear axle.  
Tighten one side beforehand so the rod doesn't spin.



# STEP 2

Tighten the bolt with 10 mm socket and hold the other end with the same size wrench so it doesn't spin.



# STEP 3

Last step is to place the 2 decorative caps inside the exposed holes and you're all done.



## **IMPORTANT**

**It is recommended that periodic inspections are made to ensure that all bolts are tightened to the specified torque settings. Should the bike be involved in an accident a thorough inspection should be made and any components that have taken an impact, no matter how small, be replaced.**

**The manufacturer or supplier cannot be held responsible for products that are incorrectly mounted or inappropriately used.**

**It is recommended to check all connections regularly for tightness of fit.**



<https://bagorosperformance.com/product/rear-spindle-sliders-for-yamaha/>

A series of five parallel, slanted grey lines in the bottom right corner of the page.